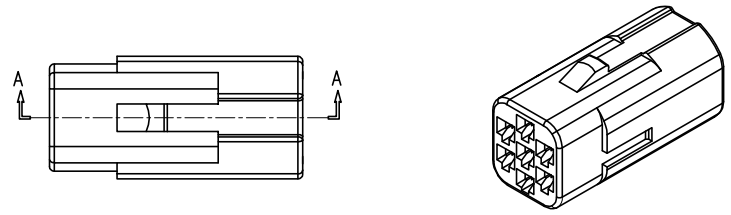


A B C D E F

1



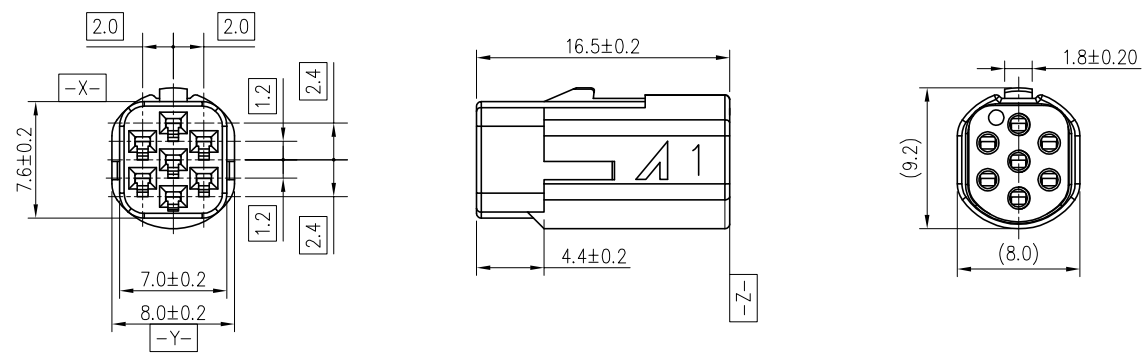
- NOTES:  
 1. MATERIAL:  
 1.1 HOUSING 1: THERMOPLASTIC, HIGH TEMP.,UL94 HB.  
 1.2 HOUSING 3: THERMOPLASTIC, HIGH TEMP.,UL94 HB.  
 1.3 RUBBER 1: SILICONE.  
 2. NON-WATERPROOF TYPE.  
 3. SPEC. PLS. REFER TO PS-92201-XXXXX-XXX  
 4. PACKAGE PLS. REFER TO 92202-XXXXX-XXX-PCK  
 5. PART NUMBER

92202-XXX X X-XXX

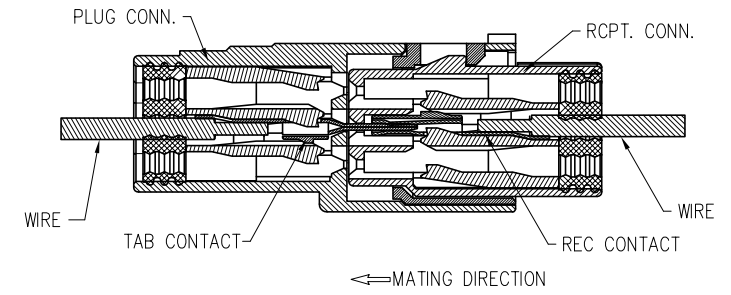
- NO OF CKT  
 007.CKT  
 PACKING  
 3: BAG  
 PLAIN  
 9: NONE

XXX	HOUSING 1	HOUSING 3	RUBBER 1
001	WHITE	GREEN	GRAY
002	GREEN		
003	YELLOW		
004	RED		
005	GRAY		
006	BLACK		

2

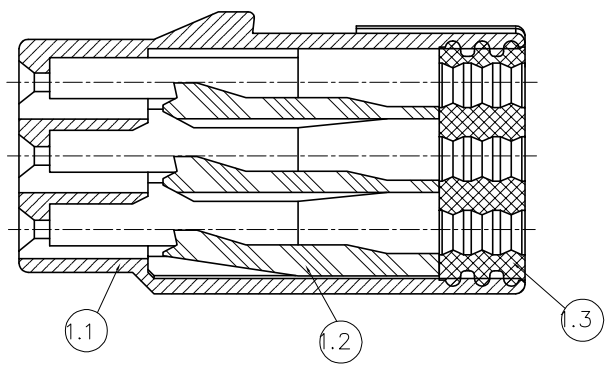


3



MATED CONDITION SECTION(REF.)  
 SCALE 2:1

4



SECTION A-A  
 SCALE 2:1

5

A B C D E F

一般公差 <b>TOLERANCES</b> X ±0.50 .XX ±0.15 X ±0.25 .XXX ±0.10 ANGLES ±2°		<b>宏致電子股份有限公司</b> Aces Electronics Co.,Ltd.	
檢驗尺寸標示 SYMBOLS  INDICATE CLASSIFICATION DIMENSION MARK IS CRITICAL DIM. MARK IS MAJOR DIM.	品名 (TITLE) 2.4mm WTW Rcpt. Conn.	製圖 (DR) 19/04/26 Chen PoYang 審核 (CHKD) Lee Kuang En	5
表面處理 (FINISH)	圖號 (DWG.NO) 92202-XXXXX-XXX	核准 (APPD) Lee Kuang En	
	比例 (SCALE) 2 : 1	單位 (UNITS) mm	張數 (SHEET) 1 OF 1
			尺寸 (SIZE) A4
			版次 (REV) E